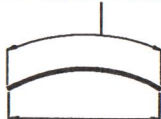


- CURVE SIDE**
- Bottom Rail Black  
50" X 9'R X 12 Places
  - Inner Stabilizer Black  
54 1/8" X 9'R X 12 Places

- TRANSITION CORNER**
- Bottom Rail Orange  
39" X 9'R X 4 Places
  - Inner Stabilizer Purple  
37" X 9'R X 4 Places

Gap between bottom rails in the bottom plate is 2 1/4"

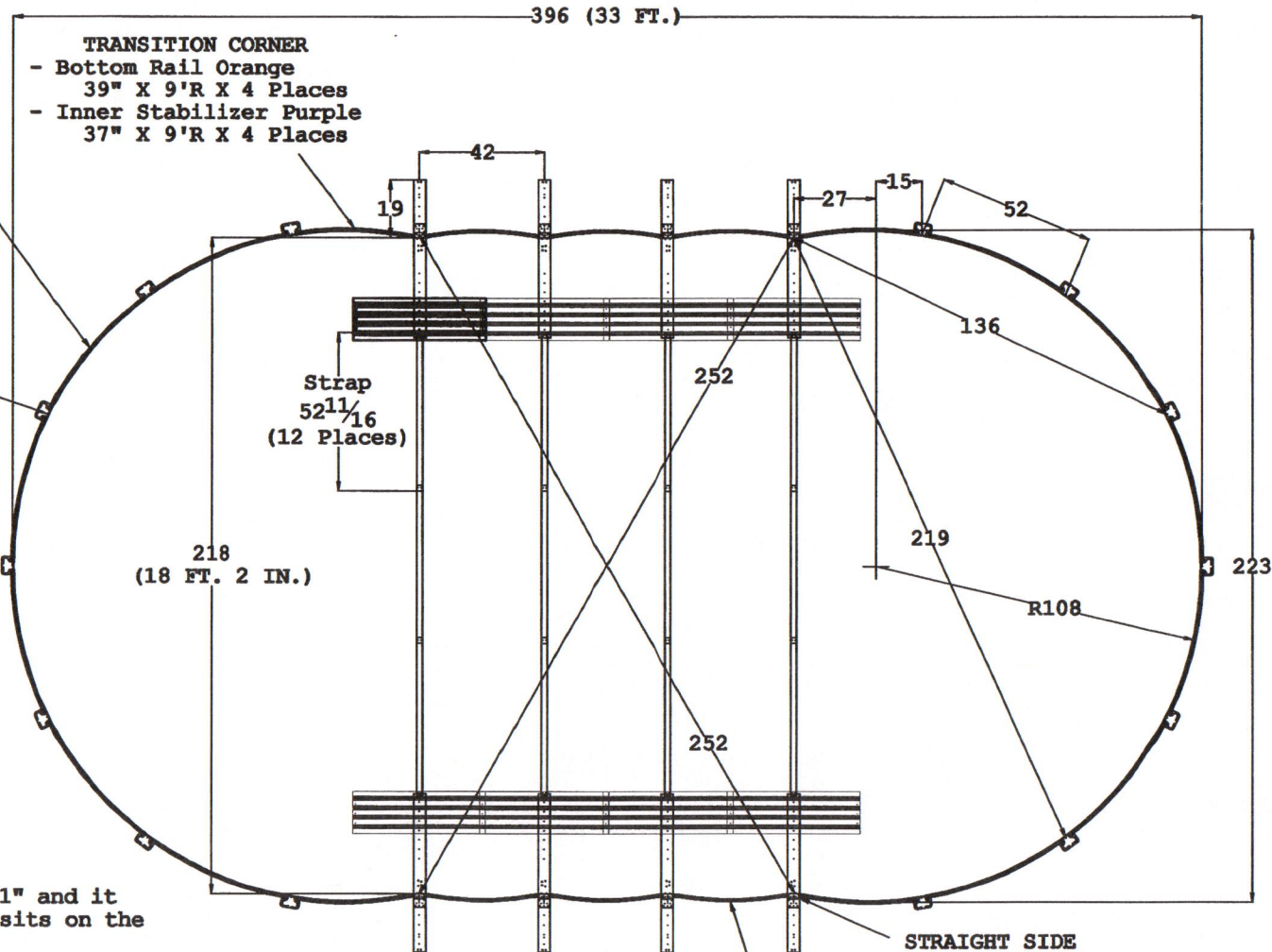
Measure rail like this



DO NOT measure rail like this

**Notes:**

1. Wall length is 1053"
2. The bottom rail is approx 1" X 1" and it goes on the ground. The pool wall sits on the groove in the center of this part.
3. The Inner Stabilizer is approx 5/8" X 5/8" and is assembled on top of the pool wall.
4. The Bottom Rails and the Inner Stabilizers are color coded on the ends to indicate the radius of the part.
5. All dimensions are in inches unless otherwise specified.
6. All dimensions are referenced from the wall location.
7. Manufacturers tolerances and field condition may result in dimensional variations.



- STRAIGHT SIDE**
- Inner Stabilizer no color  
8" X 9'R X 8 Places

- STRAIGHT SIDE**
- Bottom Rail Blue  
37 1/2" X 9'R X 6 Places
  - Inner Stabilizer Pink  
33" X 9'R X 6 Places

**WILBAR GROUP**

50 Cabot Court, Hauppauge, N.Y. 11788-3716

Tel: (631) 951.9800 - Fax: (631) 951.9170

Product: **POOL FOOT PRINTS**

Model: 1833 YARDMORE

Drawn by: JCR

Scale: 1:60

Date: 8-28-12