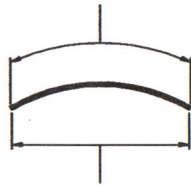


- CURVE SIDE**
- Bottom Rail Orange
49" X 7'6"R X 10 Places
 - Inner Stabilizer Orange
53 1/4" X 7'6"R X 10 Places

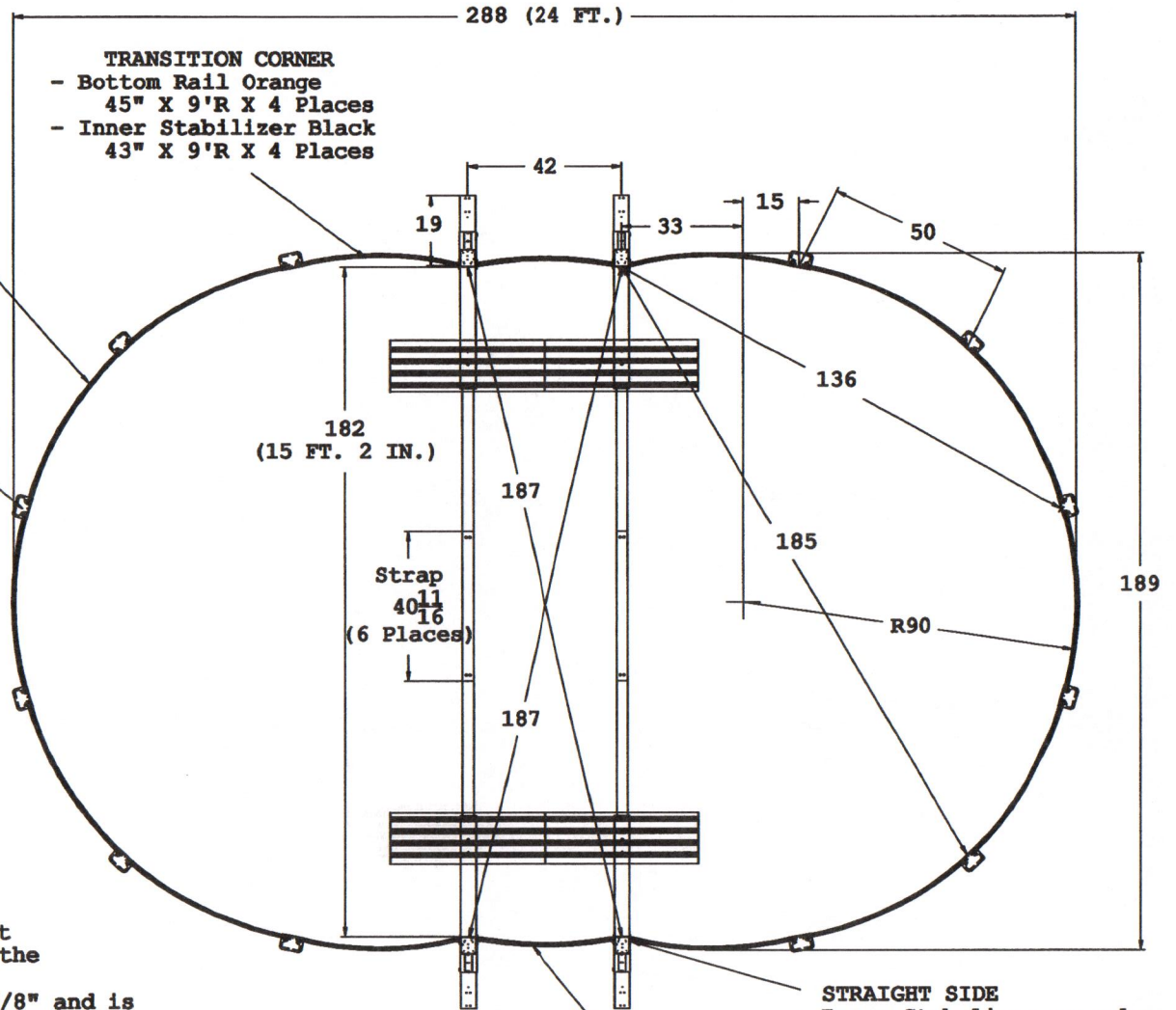
- TRANSITION CORNER**
- Bottom Rail Orange
45" X 9'R X 4 Places
 - Inner Stabilizer Black
43" X 9'R X 4 Places

Gap between bottom rails in the bottom plate is 2 1/4"

Measure rail like this



DO NOT measure rail like this



- STRAIGHT SIDE**
- Inner Stabilizer no color
8" X 9'R X 4 Places

- STRAIGHT SIDE**
- Bottom Rail Blue
37 1/2" X 9'R X 2 Places
 - Inner Stabilizer Pink
33" X 9'R X 2 Places

Notes:

1. Wall length is 792"
2. The bottom rail is approx 1" X 1" and it goes on the ground. The pool wall sits on the groove in the center of this part.
3. The Inner Stabilizer is approx 5/8" X 5/8" and is assembled on top of the pool wall.
4. The Bottom Rails and the Inner Stabilizers are color coded on the ends to indicate the radius of the part.
5. All dimensions are in inches unless otherwise specified.
6. All dimensions are referenced from the wall location.
7. Manufacturers tolerances and field condition may result in dimensional variations.

WILBAR GROUP

50 Cabot Court, Hauppauge, N.Y. 11788-3716

Tel: (631) 951.9800 - Fax: (631) 951.9170

Product: **POOL FOOT PRINTS**

Model: 1524 YARDMORE

Drawn by: JCR

Scale: 1:50

Date: 8-10-12