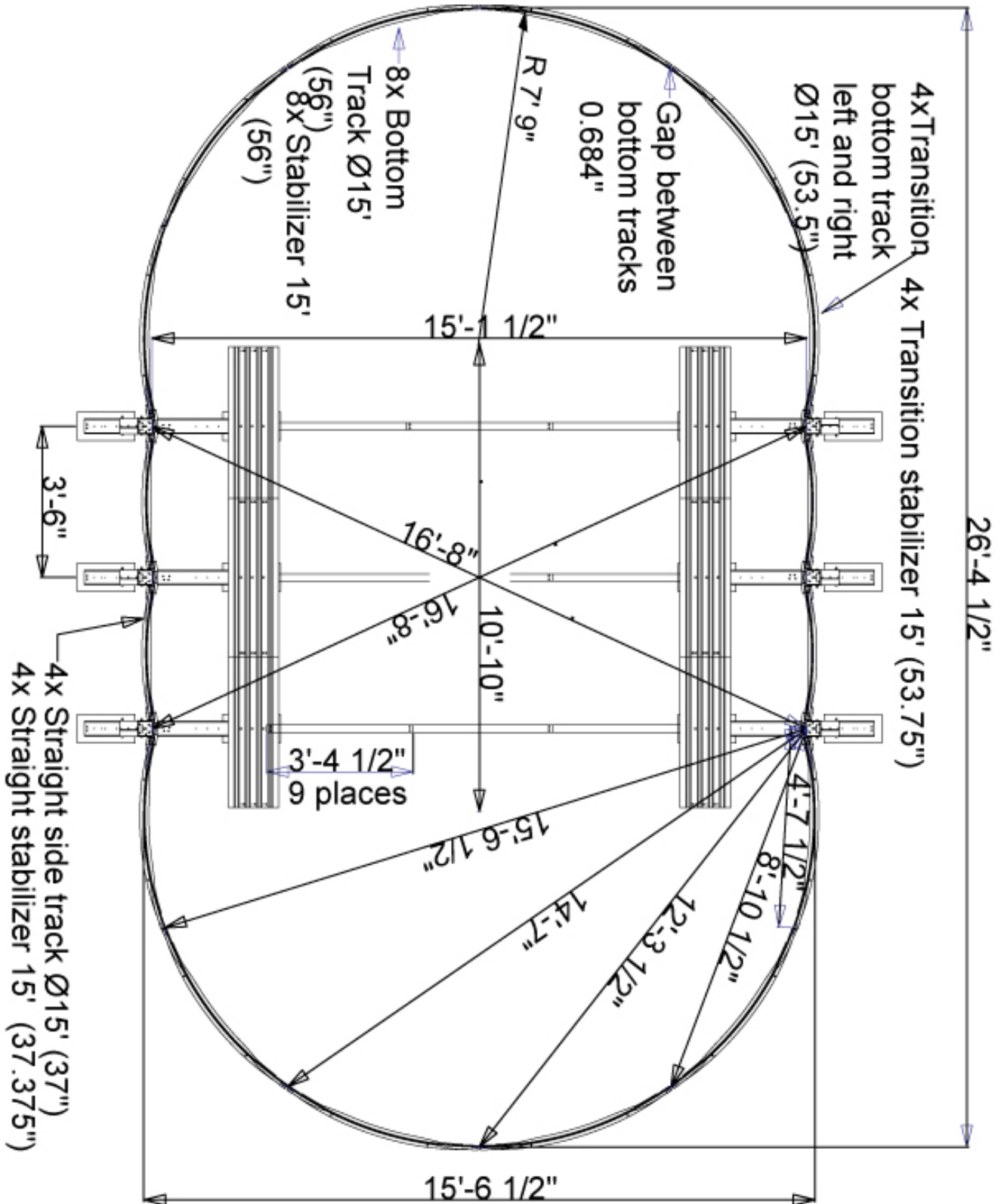


Section
1

GENERAL INSTRUCTIONS - YARDMORE OVAL POOLS
GROUND PREPARATION

OVAL FOOTPRINT - 15 x 26



Perimeter 847" (hole to hole)-Track length measured in track slot
All dimensions are in inches

Manufacturer's tolerances and field condition may result in dimensional variations.