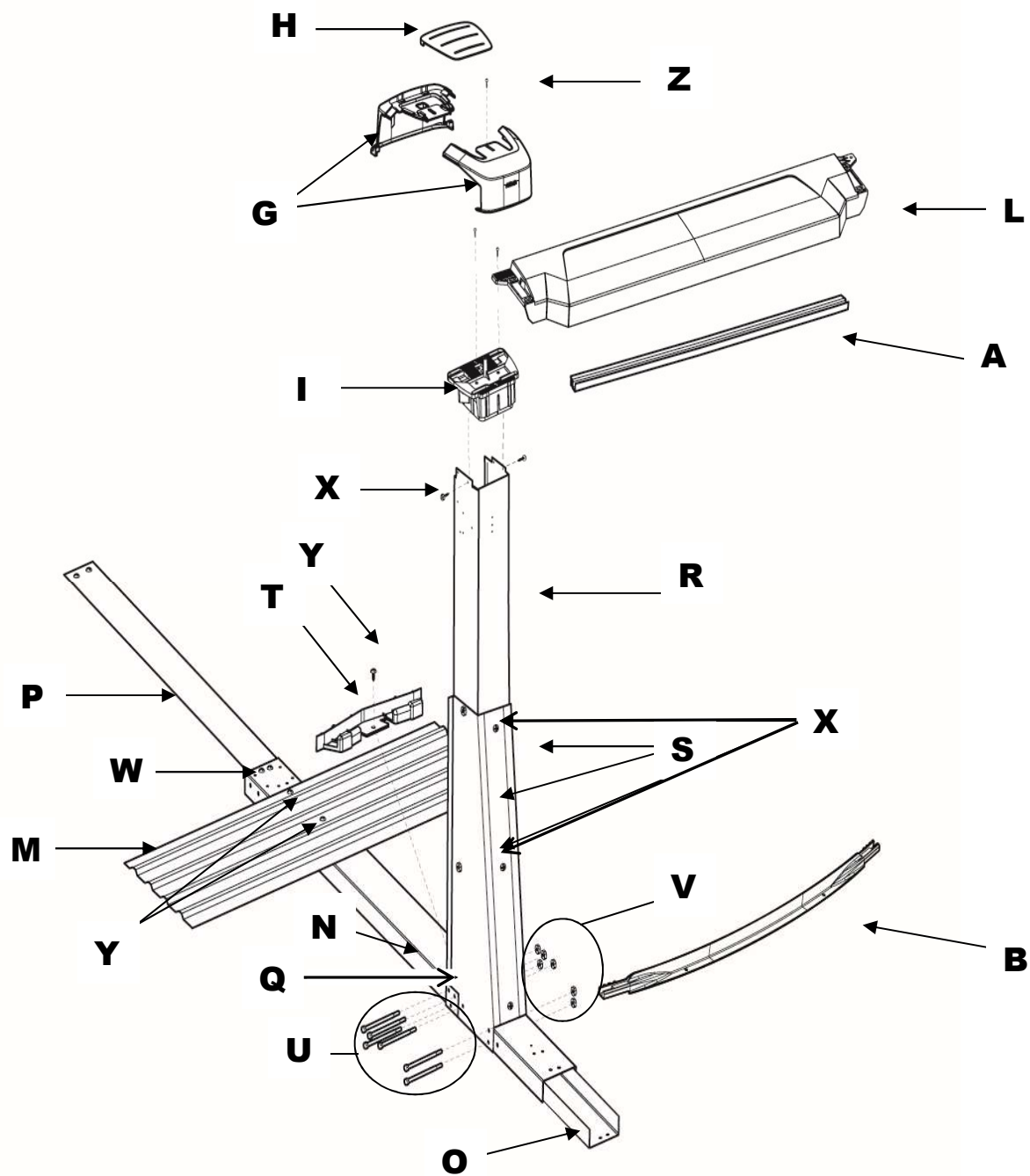
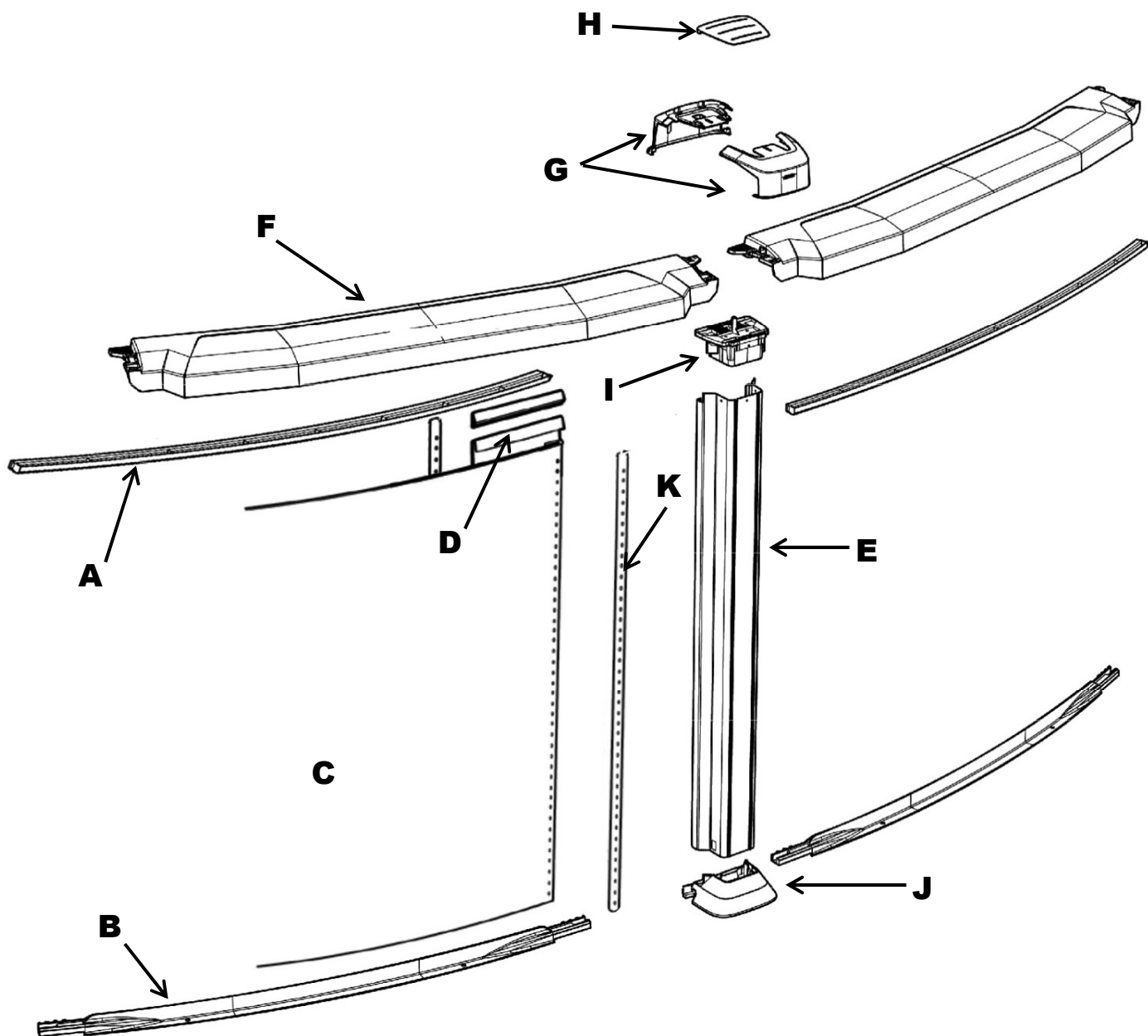


Saltwater LX RTR  
PELX-YM54RSRRRRQ21  
Yardmore  
Straight Section



Saltwater LX  
PELX-YM54RSRRRRQ21  
Yardmore  
Round Section



				Quantity required for installation (by pool size)								
Index#	Description	Part #	Length	1216	1218	1220	1224	1526	1530	1833	1840	2143
A	Stabilizer (Round section)	1071507160000		4	6	6	6	8	8	10	10	
A	Stabilizer (Round section)	1072407160000										10
A	Stabilizer (Straight side section)	10741000042	42"	2	6	2	4	4	6	6	10	12
A	Stabilizer-transition (End of straight side section)	1071507160010		4		4	4	4	4	4	4	
A	Stabilizer-transition (End of straight side section)	1072407160010										4
B	Bottom rail (Section round)	1081541000000		4	6	6	6	8	8	10	10	
B	Bottom rail (Section round)	1082441000000										10
B	Bottom rail (Straight side section)	10841000042	42"	2	6	2	4	4	6	6	10	12
B	Bottom rail-transition (End of straight side section right)	1081541000020		2		2	2	2	2	2	2	
B	Bottom rail-transition (End of straight side section right)	1082441000020										2
B	Bottom rail-transition (End of straight side section left)	1081541000030		2		2	2	2	2	2	2	
B	Bottom rail-transition (End of straight side section left)	1082441000030										2
C	Steel wall			1	1	1	1	1	1	1	1	1
D	Vinyl liner (Hook)			1	1	1	1	1	1	1	1	1
D	Vinyl liner (Overlap)			1	1	1	1	1	1	1	1	1
E	Upright	10243350004	54"	6	8	8	8	10	10	12	12	12
F	Top ledge	10141350000	56"	8	6	10	10	12	12	14	14	14
G	Ledge cover (front part)	10341350000		10	12	12	14	16	18	20	24	26
G	Ledge cover (back part)	10341350010		10	12	12	14	16	18	20	24	26
H	Ledge cover plate	10341350030		10	12	12	14	16	18	20	24	26
I	Top plate	11141350000		10	12	12	14	16	18	20	24	26
J	Bottom plate	11241350000		6	8	8	8	10	10	12	12	12
K	Steel bar	11825		2	2	2	2	2	2	2	2	2
L	Top ledge (straight)	10141350042	42"	2	6	2	4	4	6	6	10	12
M	Steel pressure plate	16549		4	4	4	6	6	8	8	12	14
N	Steel strap end channel	16539		4	4	4	6	6	8	8	12	14
O	Under channel	15933		4	4	4	6	6	8	8	12	14
P	Strap 12'	16724		4	4	4	6					
P	Strap 15'	16725						9	12			
P	Strap 18'	16726								12	18	
P	Strap 21'	22126										28
Q	Washer 3 holes	16663		8	8	8	12	12	16	16	24	28

				Quantity required for installation (by pool size)								
Index#	Description	Part #	Length	1216	1218	1220	1224	1526	1530	1833	1840	2143
R	Straight side steel upright 54"	10002	54"	4	4	4	6	6	8	8	12	14
S	Right gusset	38563		4	4	4	6	6	8	8	12	14
S	Left gusset	38562		4	4	4	6	6	8	8	12	14
T	Straight side resin bottom plate	10441000000		4	4	4	6	6	8	8	12	14
U	Bolt 5" x 5/16 - 18	99-0073		32	32	32	48	48	64	64	96	112
V	Nut 5/16 - 18	99-0027		44	44	44	72	72	96	96	144	182
W	Screw 1/2" x 5/16 - 18	99-0026		12	12	12	24	24	32	32	48	70
X	Screw 1/2" #10	99-0068		34	34	34	46	46	58	58	82	94
Y	Screw #10x1" 18-8 SS	99-0070		5	5	5	10	10	10	10	12	14
Z	Stainless steel screw 12 x 3/4"	V12x34		60	60	60	80	80	105	105	136	158
	Pan phill SS # 12,1' TYPE A	2PPS121		60	70	70	80	90	100	110	130	150
**	Hardware bag for wall	1050000054		1	1	1	1	1	1	1	1	1
	Thru phill 18-8 bolts 18-8 1/4-0x3/4	99-0023		31	31	31	31	31	31	31	31	31
	Flange nuts S/S 1/4-20	2FGS422		31	31	31	31	31	31	31	31	31
*	Hardware bag	1051216350		1								
*	Hardware bag	1051220350			1	1						
*	Hardware bag	1051224350					1					
*	Hardware bag	1051526350						1				
*	Hardware bag	1051530350							1			
*	Hardware bag	1051833350								1		
*	Hardware bag	1051840350									1	
*	Hardware bag	1052143350										1
****	Hardware bag	10522122		1	1	1						
****	Hardware bag	10522124					1	1				
****	Hardware bag	10522123							1	1		
****	Hardware bag	10522125									1	
****	Hardware bag	10522127										1
***	Hardware bag	16720		1	1	1	1	1	2	2	3	3
***	Hardware bag	16722					1	1				1
	Foam block	29917		4	4	4	6	6	8	8	12	14
	Oval channel end cap	22726		4	4	4	6	6	8	8	12	14
	Installation DVD	SACWBI36875		1	1	1	1	1	1	1	1	1

\* In the hardware bag you will find parts: #2PPS121  
 \*\* In the hardware bag for wall you will find parts: #99-0023 - #2FGS422  
 \*\*\* In the hardware bag you will find parts: #99-0073 - #99-0027 - #16663  
 \*\*\*\* In the hardware bag you will find parts: #99-0073 - #99-0070 - #99-0068 - #99-0027 - #99-0026 - #V12x34