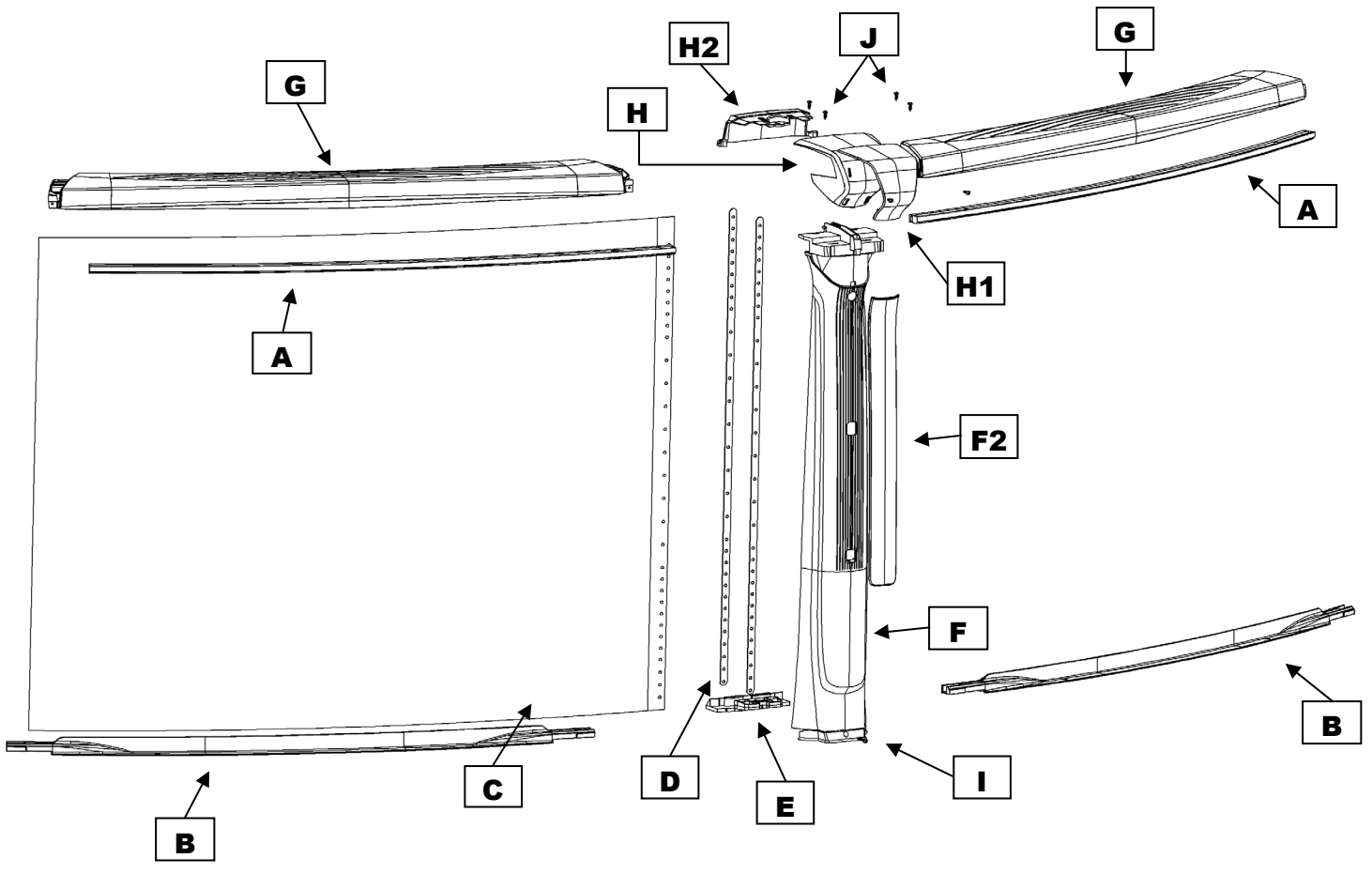


Aurora
PAUR-54RRRRRRR330
Round

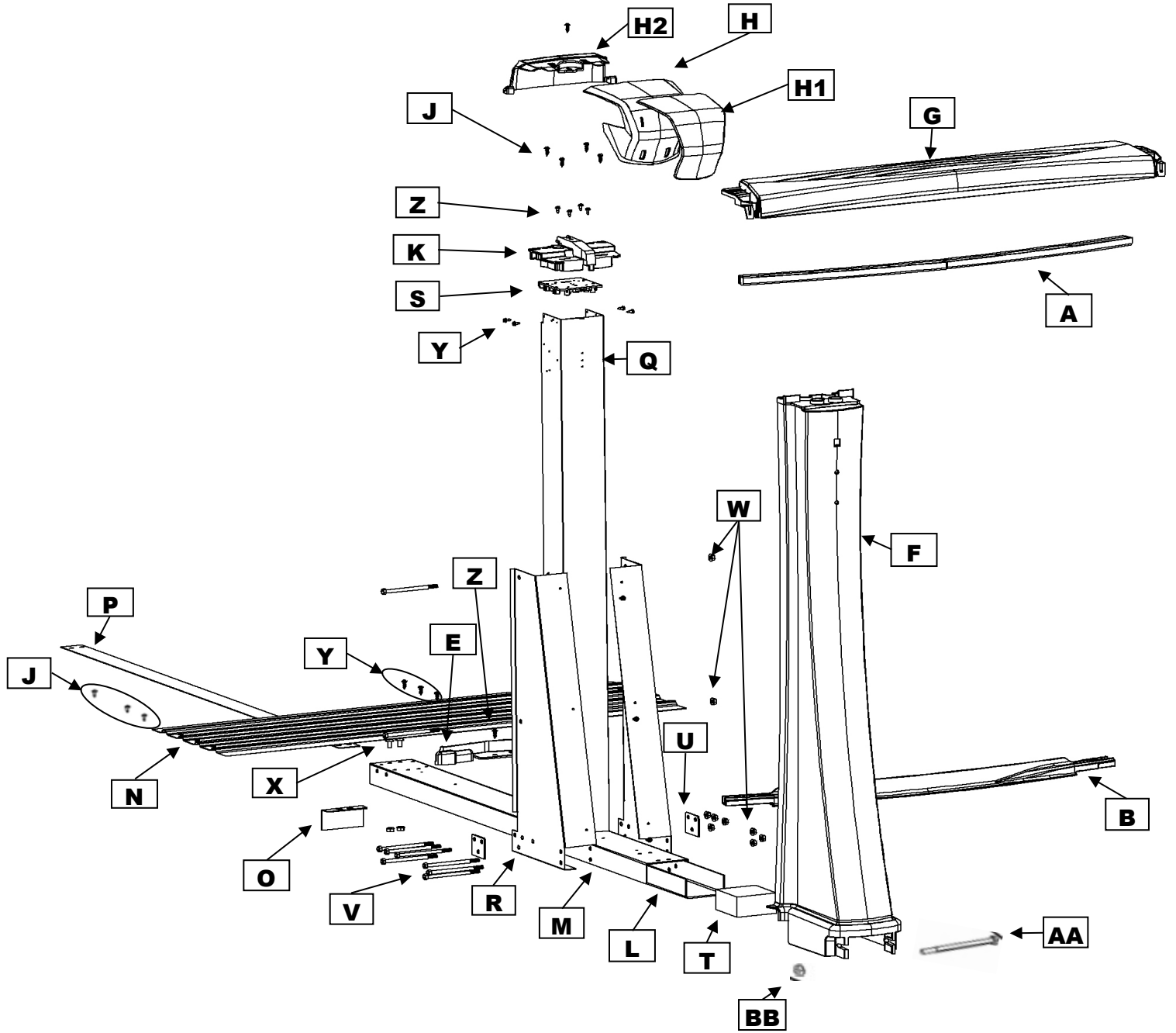


Product Description:			Aurora Round						Revised Sept 2019
Product Code:			PAUR-54RRRRRR330						
			Quantity required for installation (by pool size)						
Index #	Description	Part #	15	18	21	24	27	30	
A	Stabilizer	1071507160000	10						
A	Stabilizer	1072407160000		12	14	16			
A	Stabilizer	1073007160000					18	20	
B	Bottom Rail	1081547000000	10						
B	Bottom Rail	1082447000000		12	14	16			
B	Bottom Rail	1083047000000					18	20	
C	Resin wall (hole-to-hole)		1	1	1	1	1	1	
D	Steel bar	209031	2	2	2	2	2	2	
E	Bottom plate	11207100000	10	12	14	16	18	20	
F1	Upright	10248440004	10	12	14	16	18	20	
F2	Upright Insert	13057440010	10	12	14	16	18	20	
G	Top ledge (regular)	10148360000	10	12	14	16	18	20	
H	Ledge cover	10348440000	10	12	14	16	18	20	
H1	Ledge cover insert	13057440020	10	12	14	16	18	20	
H2	Ledge cover inner	10348440010	10	12	14	16	18	20	
I	Stainless screw 12 x 1 1/2"	2PPS112	10	12	14	16	18	20	
J	Stainless screw 12 x 3/4"	V12X34	73	87	101	115	129	143	
*	Hardware bag	1051500380	1						
*	Hardware bag	1051800380		1					
*	Hardware bag	1052100380			1				
*	Hardware bag	1052400380				1			
*	Hardware bag	1052700380					1		
*	Hardware bag	1053000380						1	
**	Hardware bag for wall	1050000R54	1	1	1	1	1	1	
	Upright clip	6ADP10900A00	20	24	28	32	36	40	
	Flange nuts S/S 1/4-20 serrated	2FGS422	49	49	49	49	49	49	
	Screw\Truss\Quadrex\1/4-20\7/8"\18-8 S	B14X20X78	49	49	49	49	49	49	
	Installation DVD	SACWBI36875	1	1	1	1	1	1	

* In the hardware bag you will find parts: #2PPS112 - #V12x34

** In the hardware bag for wall you will find parts: #B14X20X78 - #2FGS422

Aurora
PAUR-YM54RRRRRR330
Yardmore
Straight Section



Product Description:**Aurora Oval**

Revised Sept 2019

Product Code:**PAUR-YM54RRRRRR330**

			Quantity required for installation (by pool size)		
Index #	Description	Part #	1526	1530	1833
A	Stabilizer (Round section)	1071507160000	8	8	10
A	Stabilizer (Straight section)	10747000042	4	6	6
A	Stabilizer-transition (End of straight section)	1071507160010	4	4	4
B	Bottom rail (Round section)	1081547000000	8	8	10
B	Bottom rail (Straight section)	10847000042	4	6	6
B	Bottom rail-transition (End of straight section right)	1081547000020	2	2	2
B	Bottom rail-transition (End of straight section left)	1081547000030	2	2	2
C	Resin wall		1	1	1
D	Steel bar	209031	2	2	2
E	Bottom plate	11207100000	10	10	12
E	Bottom plate (straight section)	10447000000	6	8	8
F1	Upright	10248440004	10	10	12
F2	Upright Insert	13057440010	10	10	12
F	Upright cover (straight section)	10248000004	6	8	8
G	Top ledge (regular)	10148360000	12	12	14
G	Top ledge (straight side section)	10148360042	4	6	6
H	Ledge cover	10348440000	10	10	12
H	Ledge cover oval	10348440001	6	8	8
H1	Ledge cover insert	13057440020	10	10	12
H1	Ledge cover oval insert	13057440010	6	8	8
H2	Ledge cover (inner)	10348440010	16	18	20
I	Stainless steel screw 12 x 1-1/2"	2PPS112	10	10	12
J	Stainless steel screw 12 x 3/4"	V12X34	134	154	168
K	Resin top plate	1040033A01	6	8	8
L	Under channel	15933	6	8	8
M	Steel strap end channel	16539	6	8	8
N	Steel pressure plate	16549	6	8	8
O	Oval channel end cap	22726	6	8	8
P	Strap 15'	16725	9	12	
P	Strap 18'	16726			12
Q	Straight side steel upright	22151	6	8	8
R	Right gusset	16375	6	8	8
R	Left gusset	16374	6	8	8
S	Metal top plate	10136R	6	8	8
T	Foam block	29917	6	8	8
U	Washer 3 holes	16663	12	16	16
V	Bolt 5" x 5/16 - 18	99-0073	60	80	80
W	Nut 5/16 - 18	99-0027	84	116	112
X	Screw 1/2" x 5/16 - 18	99-0026	24	36	32
Y	Screw 1/2" #10	99-0068	70	90	90
Z	Screw 1" #10	99-0070	40	56	50
AA	Bolt 5 1/2" x 1/4 - 20	2PCB520	6	8	8
BB	Nut 1/4 - 20	2FGS422	6	8	8
*	Hardware bag	1051526380	1		
*	Hardware bag	1051530380		1	

Product Description:**Aurora Oval**

Revised Sept 2019

Product Code:**PAUR-YM54RRRRRR330**

			Quantity required for installation (by pool size)		
Index #	Description	Part #	1526	1530	1833
*	Hardware bag	1051833380			1
**	Hardware bag for wall	1050000R54	1	1	1
***	Hardware bag	16720	1	2	2
***	Hardware bag	16722	1		
****	Hardware bag	10522116	1		
****	Hardware bag	22113		1	
****	Hardware bag	10522117			1
	Upright clip	6ADP10900A00	20	20	24
	Screw\Truss\Quadrex\1/4-20\7/8"\18-	B14X20X78	49	49	49
	Nut 1/4 - 20	2FGS422	49	49	49
	Installation DVD	SACWBI36875	1	1	1

* In the hardware bag you will find parts: #2PPS112 - #V12x34

** In the hardware bag for wall you will find parts: #99-0023 - #2FGS422

*** In the hardware bag you will find parts: #99-0073 - #99-0027 - #16663

**** In the hardware bag you will find parts: #99-0073 - #99-0027 - #2PCB520 - #99-0068 - #99-0026 - #99-0070 - #V12x34 - #:

F: This piece is composed of 10248440002 -13057440010 (insert)

H1 : This piece is composed of 10348440000 -13057440020 (insert)

H1 : This piece is composed of 10348440001 -13057440030 (insert) (Straight section)