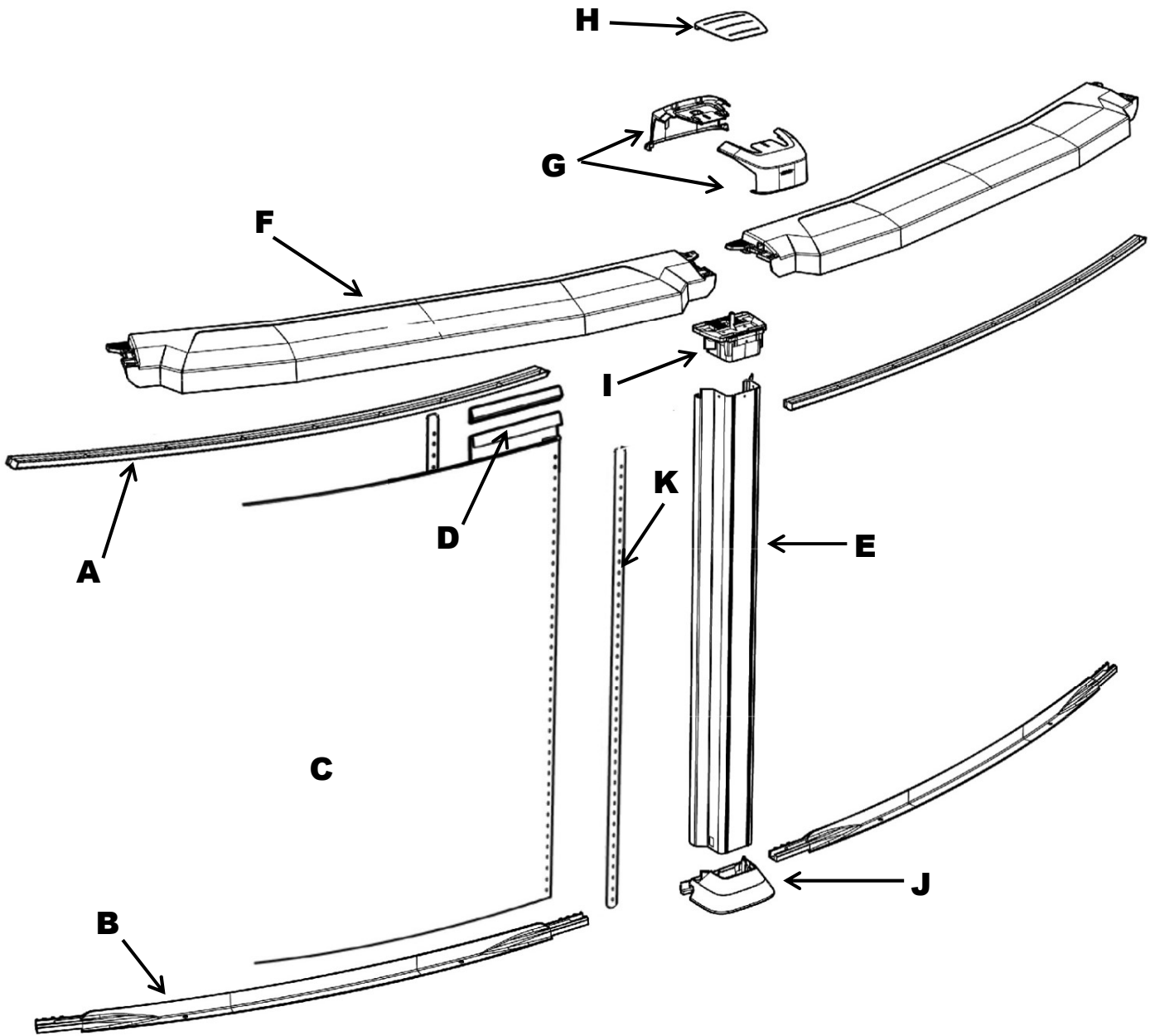


Salt Water 8000
PLIB-54RSRRRRQ11
Round



				Quantity required for installation (by pool size)							
Index #	Description	Part	Length	12	15	18	21	24	27	30	33
A	Stabilizer 12', 15'	1071507160000		8	10						
A	Stabilizer 18' 21' 24'	1072407160000				12	14	16			
A	Stabilizer 27' 30' 33'	1073007160000							18	20	22
B	Bottom rail 12', 15'	1081507000000		8	10						
B	Bottom rail 18', 21', 24'	1082407000000				12	14	16			
B	Bottom rail 27', 30'	1083007000000							18	20	22
C	Steel wall			1	1	1	1	1	1	1	1
D	Vinyl liner (hooks)			1	1	1	1	1	1	1	1
D	Vinyl liner (Overlap)			1	1	1	1	1	1	1	1
E	Upright	10202350004	54"	8	10	12	14	16	18	20	22
F	Top ledge	10102350000	56"	8	10	12	14	16	18	20	22
G	Ledge cover (front part)	10302350000		8	10	12	14	16	18	20	22
G	Ledge cover (back part)	10302350010		8	10	12	14	16	18	20	22
H	Ledge cover plate	10302350030		8	10	12	14	16	18	20	22
I	Top plate	11102350000		8	10	12	14	16	18	20	22
J	Bottom plate	11202350000		8	10	12	14	16	18	20	22
K	Steel bar	11825		2	2	2	2	2	2	2	2
	Pan phill SS #12,1 TYPE A	2PPS121		75	93	111	129	147	165	183	201
**	Hardware bag for wall	1050000054		1	1	1	1	1	1	1	1
	Thru phil 18-8 bolts 18-8 1/4-0x3/4	99-0023		31	31	31	31	31	31	31	31
	Flange nuts S/S 1/4-20 Serrated	2FGS422		31	31	31	31	31	31	31	31
*	Hardware bag	1051200350		1							
*	Hardware bag	1051500350			1						
*	Hardware bag	1051800350				1					
*	Hardware bag	1052100350					1				
*	Hardware bag	1052400350						1			
*	Hardware bag	1052700350							1		
*	Hardware bag	1053000350								1	
*	Hardware bag	1053300350									1
	Installation DVD	SACWBI36875		1	1	1	1	1	1	1	1

* In the hardware bag you will find parts: #2PPS121

** In the hardware bag for wall you will find parts: #99-0023 - #2FGS422