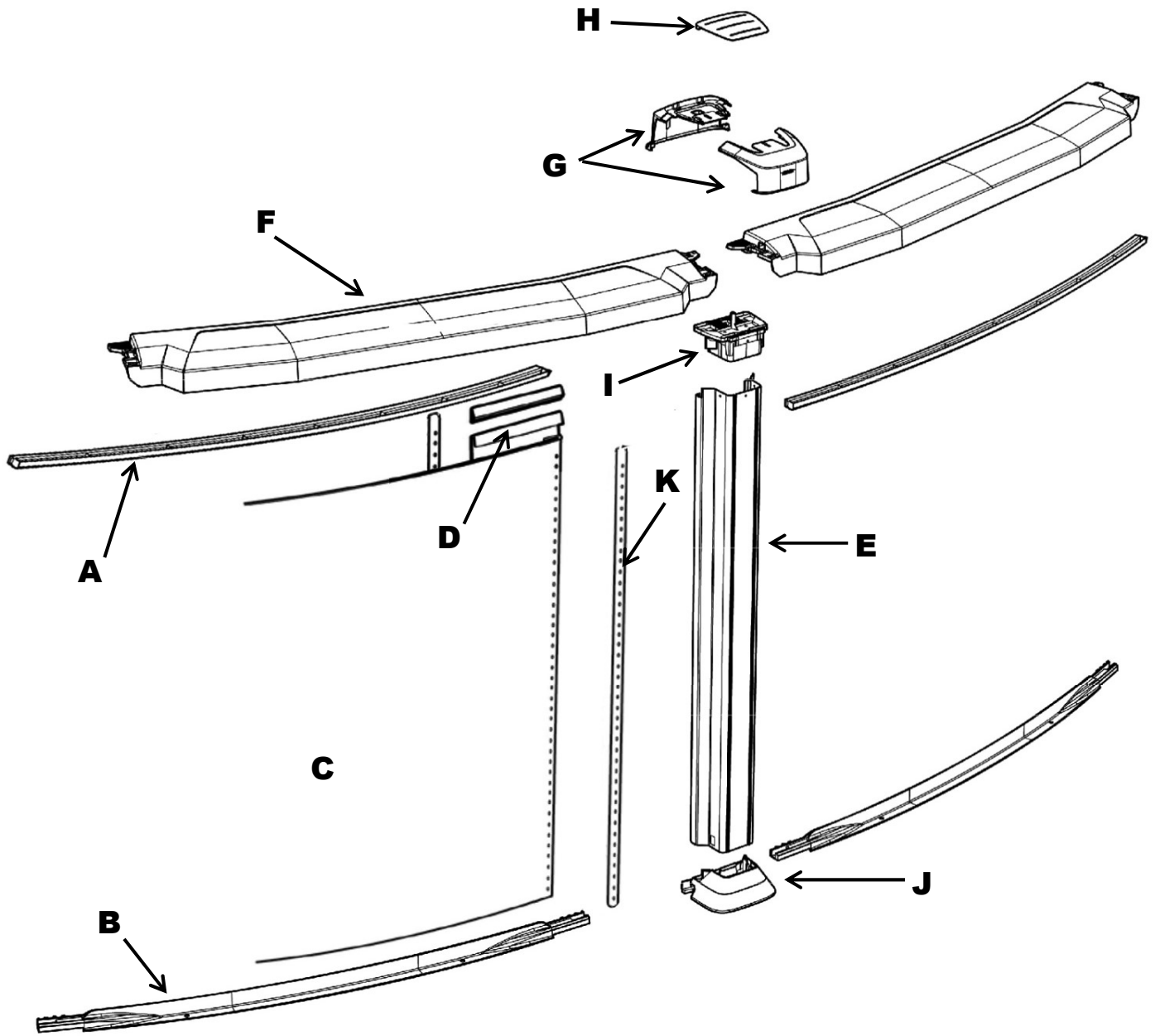


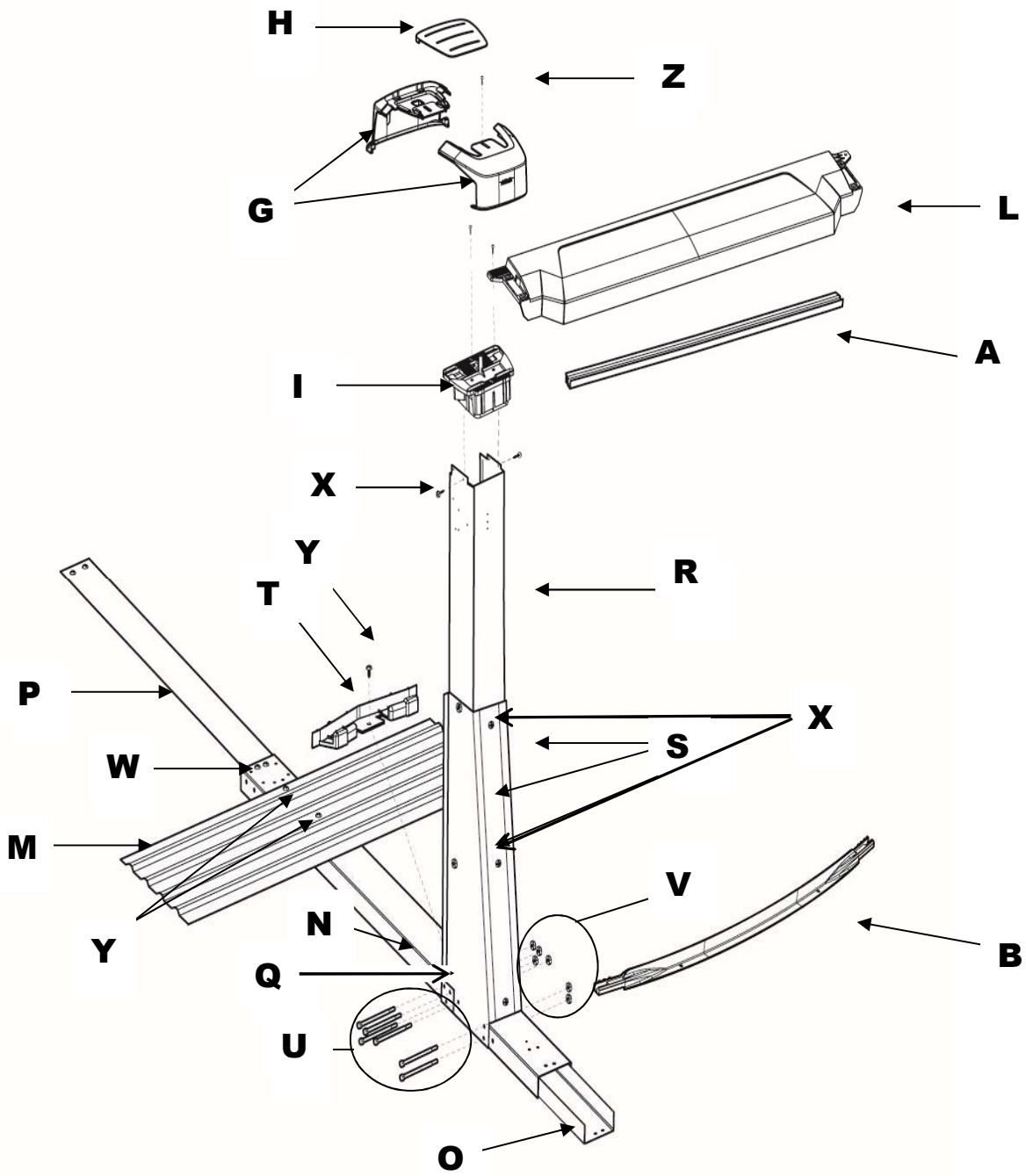
Salt Water 8000
PLIB-YM54RSRRRRQ11
Yardmore
Round Section



PLIB-YM54RSRRRRQ11

Yardmore

Straight Section



				Quantity required for installation (by pool size)									
Index#	Description	Part #	Length	1216	1218	1220	1224	1526	1530	1833	1840	1844	2143
A	Stabilizer (Round section)	1071507160000		4	6	6	6	8	8	10	10	10	
A	Stabilizer (Round section)	1072407160000											10
A	Stabilizer (Straight side section)	10707000042	42"	2	6	2	4	4	6	6	10	12	12
A	Transition stabilizer (End of straight side section)	1071507160010		4		4	4	4	4	4	4	4	
A	Transition stabilizer (End of straight side section)	1072407160010											4
B	Bottom rail (Section round)	1081507000000		4	6	6	6	8	8	10	10	10	
B	Bottom rail (Section round)	1082407000000											10
B	Bottom rail (Straight side section)	10807000042	42"	2	6	2	4	4	6	6	10	12	12
B	Transition bottom rail (End of straight side section right)	1081507000020		2		2	2	2	2	2	2	2	
B	Transition bottom rail (End of straight side section left)	1081507000030		2		2	2	2	2	2	2	2	
B	Transition bottom rail (End of straight side section right)	1082407000020											2
B	Transition bottom rail (End of straight side section left)	2082407000030											2
C	Steel wall			1	1	1	1	1	1	1	1	1	1
D	Vinyl liner (Hook)			1	1	1	1	1	1	1	1	1	1
D	Vinyl liner (Overlap)			1	1	1	1	1	1	1	1	1	1
E	Upright	10202350004	54"	6	8	8	8	10	10	12	12	14	12
F	Top ledge	10102350000	56"	8	6	10	10	12	12	14	14	14	14
G	Ledge cover(front part)	10302350000		10	12	12	14	16	18	20	24	26	26
G	Ledge cover(back part)	10302350010		10	12	12	14	16	18	20	24	26	26
H	Ledge cover plate	10302350030		10	12	12	14	16	18	20	24	26	26
I	Top plate	11102350000		10	12	12	14	16	18	20	24	26	26
J	Bottom plate	11202350000		6	8	8	8	10	10	12	12	12	12
K	Steel bar	11825		2	2	2	2	2	2	2	2	2	2
L	Top ledge(straight)	10102350042	42"	2	6	2	4	4	6	6	10	12	12
M	Steel pressure plate	16549		4	4	4	6	6	8	8	12	14	14
N	Steel strap end channel	16539		4	4	4	6	6	8	8	12	14	14
O	Under channel	15933		4	4	4	6	6	8	8	12	14	14
P	Strap 12'	16724		4	4	4	6						
P	Strap 15'	16725						9	12				

				Quantity required for installation (by pool size)									
Index#	Description	Part #	Length	1216	1218	1220	1224	1526	1530	1833	1840	1844	2143
P	Strap 18'	16726								12	18	21	
P	Strap 21'	22126											28
Q	Washer 3 holes	16663		8	8	8	12	12	16	16	24	28	28
R	Straight side steel upright	10004	54"	4	4	4	6	6	8	8	12	12	14
S	Right gusset	33091		4	4	4	6	6	8	8	12	14	14
S	Left gusset	33090		4	4	4	6	6	8	8	12	14	14
T	Straight side resin bottom plate	10402000000		4	4	4	6	6	8	8	12	14	14
U	Bolt 5" x 5/16 - 18	99-0073		32	32	32	48	48	64	64	96	112	112
V	Nut 5/16 - 18	99-0027		44	44	44	72	72	96	96	144	168	182
W	Screw 1/2" x 5/16 - 18	99-0026		12	12	12	24	24	32	32	48	56	70
X	Screw 1/2" #10	99-0068		34	34	34	46	46	58	58	82	94	94
Y	Screw #10x1" 18-8SS	99-0070		5	5	5	10	10	10	10	12	14	14
Z	Stainless steel screw 12 x 3/4"	V12x34		60	60	60	80	80	105	105	136	150	158
	Pan Phill SS #12,1 TYPE A	2PPS121		60	70	70	80	90	100	110	130	140	150
*	Hardware bag	1051216350		1									
*	Hardware bag	1051220350			1	1							
*	Hardware bag	1051224350					1						
*	Hardware bag	1051526350						1					
*	Hardware bag	1051530350							1				
*	Hardware bag	1051833350								1			
*	Hardware bag	1051840350									1		
*	Hardware bag	1051844350										1	
*	Hardware bag	1052143350											1
****	Hardware bag	10522122		1	1	1							
****	Hardware bag	10522124					1	1					
****	Hardware bag	10522123							1	1			
****	Hardware bag	10522125									1		
****	Hardware bag	10522126										1	
****	Hardware bag	10522127											1
***	Hardware bag	16720		1	1	1	1	1	2	2	3	3	3
***	Hardware bag	16722					1	1				1	1
**	Hardware bag for wall	1050000054		1	1	1	1	1	1	1	1	1	1
	Thrus phil 18-8 bolts 18-8 1/4-0x3/4	99-0023		31	31	31	31	31	31	31	31	31	31
	Flange nuts S/S 1/4-20 Serrated	2FGS422		31	31	31	31	31	31	31	31	31	31
	Oval channel end cap	22726		4	4	4	6	6	8	8	12	14	14
	Foam block	29917		4	4	4	6	6	8	8	12	12	14
	Installation DVD	SACWBI36875		1	1	1	1	1	1	1	1	1	1

* In the hardware bag you will find parts: #V12x34 - #2PPS121

** In the hardware bag for wall you will find parts: #99-0023 - #2FGS422

*** In the hardware bag you will find parts: #99-0073 - #99-0027 - #16663

**** In the hardware bag you will find parts: #99-0073 - #99-0070 - #99-0068 - #99-0027 - #99-0026 - #V12x34