

STAINLESS STEEL SERVICE PANEL INSTALLATION

The Saltwater 8000 and the Saltwater LX pools include a stainless steel service panel. This stainless steel service panel includes a Thru-wall skimmer cut out and water return hole. The stainless steel service panel is joined to the pool wall at each end. Please follow these instructions when you're installing your stainless steel service panel.

Important Note:

The wall joints are a very important part of the structure of the pool. Do not deviate from these instructions or use any substitute materials or hardware because the warranty of the pool may be affected. All screws and nuts must be as tight as possible using hand tools. If you are missing any hardware, do not leave empty holes in the wall joint assembly. Doing so can cause your pool to break. Contact your pool dealer for additional hardware in the case of a shortage.

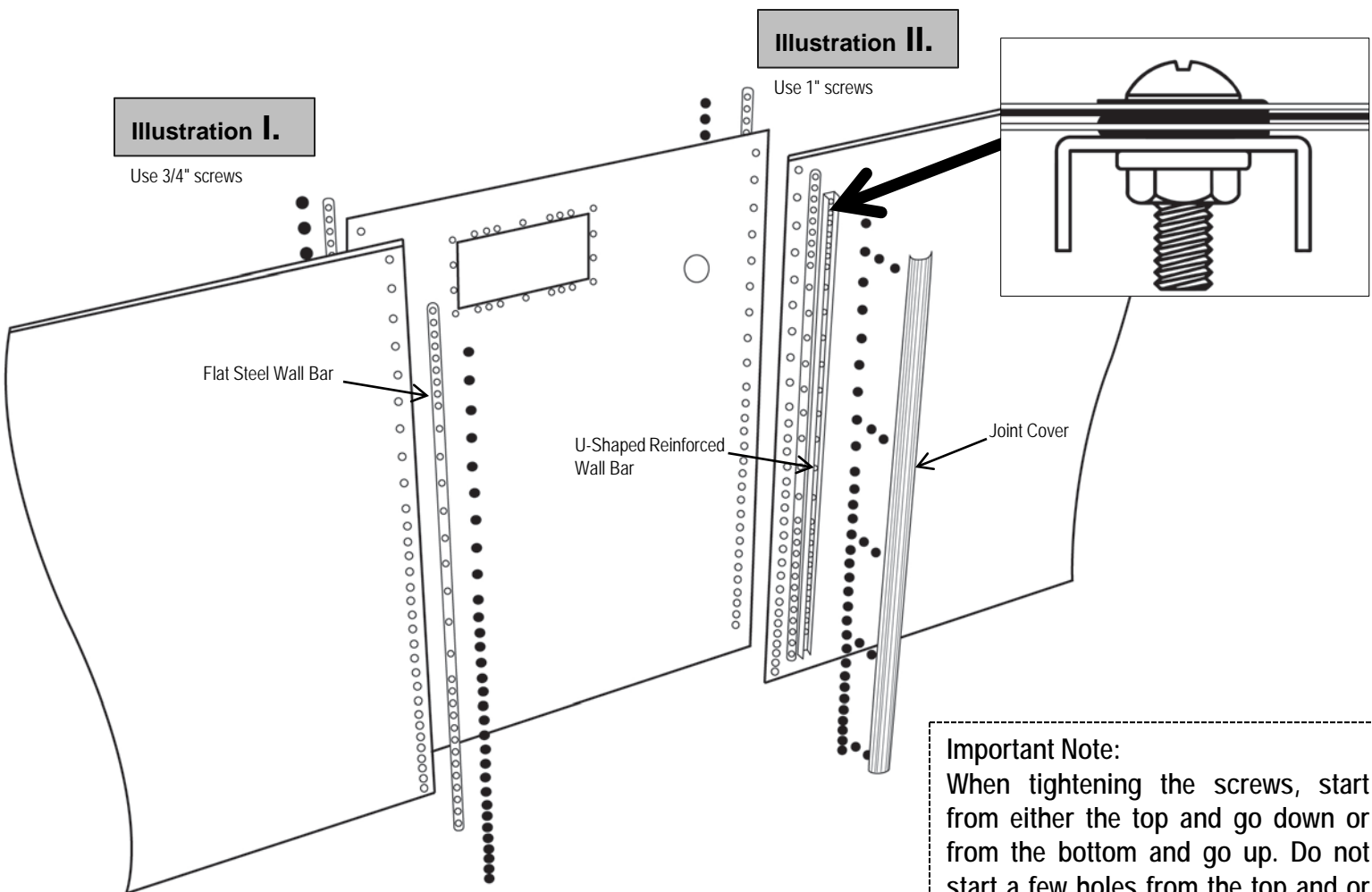
- A. Determine the desired location for your filter system and the best position for the Thru-wall skimmer cut out and water return hole. On oval pools, the service panel must be located at one of the curved ends of the pool, not on the straight side.
- B. Unroll the pool wall as shown in your installation manual (or DVD). Remember, insert the wall into the bottom track, starting from the center of the bottom joiner plate that is the nearest to the desired location of your stainless steel service panel and your filter system.
- C. Once the wall is completely unrolled, the stainless steel service panel must be installed from the inside of the pool wall (with the skimmer cut out on the left and the water return hole on the right – as seen from the outside of the pool wall).

STAINLESS STEEL SERVICE PANEL INSTALLATION

D. Align the holes at the ends of the pool wall with the stainless steel service panel. (ref. Illustration 1)

I. Fasten the wall joint that is in the center of the bottom joiner plate by overlapping the two steel flat wall bars, one on the inside of the pool wall (the screws will touch this bar) and the other on the outside of the pool wall (the nuts will touch this bar). This wall joint will be hidden once the pool uprights are installed. Use the $\frac{3}{4}$ " length screws supplied (shorter screws) when installing this wall joint. Insert the screws with the bolt head to the inside of the wall and the nuts to the outside of the wall. Do not tighten until all of the screws and nuts have been attached. Once the screws and nuts are securely tighten you must cover the screw heads on the inside of the pool wall with three layers of duct tape. **Reference Illustration I.**

II. Fasten the other wall joint that is between the two bottom joiner plates by first overlapping one flat steel wall bar on the inside of the pool wall. Second, place the other flat steel wall bar on the outside of the wall along with the U-shaped reinforced wall bar directly on top of the flat steel wall bar **Reference Illustration II** (flat side of U-shaped reinforced wall bar against the flat steel wall bar, legs facing outwards). **Start the U-shaped reinforced wall bar at the third hole from the bottom. Reference Illustration III.** Use the 1" screws supplied (longer screws) when installing this wall joint. Insert the screws with the screw head to the inside of the wall and the nuts to the outside of the wall. Do not tighten until all of the screws and nuts have been attached. Once the screws and nuts are securely tightened you must cover the screw heads on the inside of the pool wall with three layers of duct tape.



Important Note:
When tightening the screws, start from either the top and go down or from the bottom and go up. Do not start a few holes from the top and or a few holes from the bottom to meet in the middle.

STAINLESS STEEL SERVICE PANEL INSTALLATION

Start the U-Shaped reinforced wall bar at the third hole from the bottom for 52"/54" high walls.

E. Since one side of the stainless steel service panel will not be hidden behind an upright, a joint cover can be installed. Starting at the second bolt from the bottom of the exposed wall joint, place one of the supplied washers and a 2nd nut (as shown in illustration III) and tighten to the 1" screw. Repeat this operation in four places evenly spaced up the joint.

F. Slide the joint cover down over the washer so that the locking forks are engaged over the washer as shown below. (Illustration IV & V)

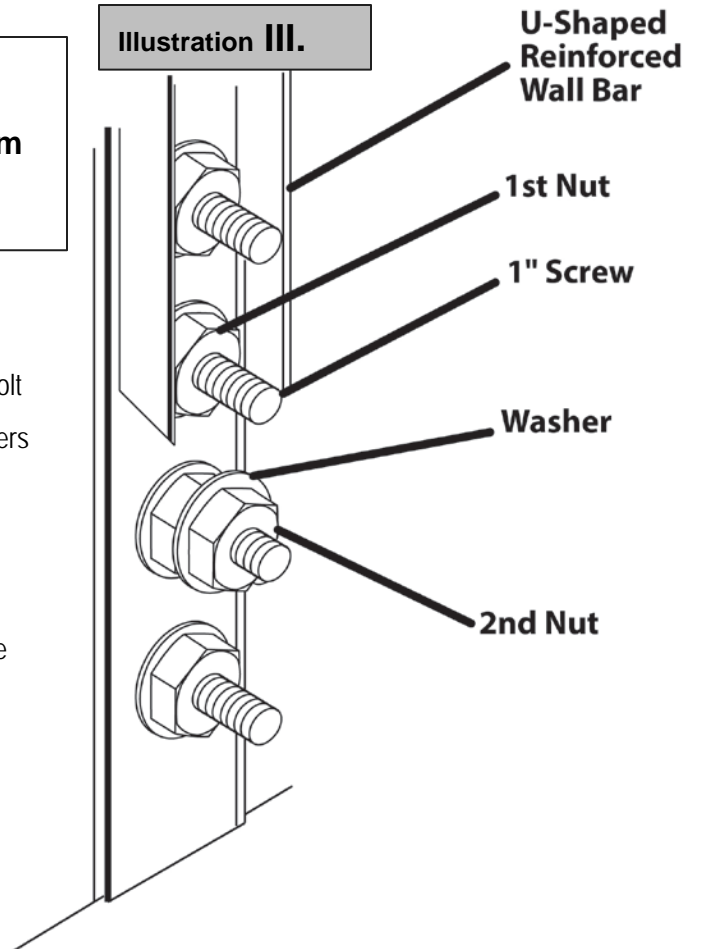


Illustration IV.

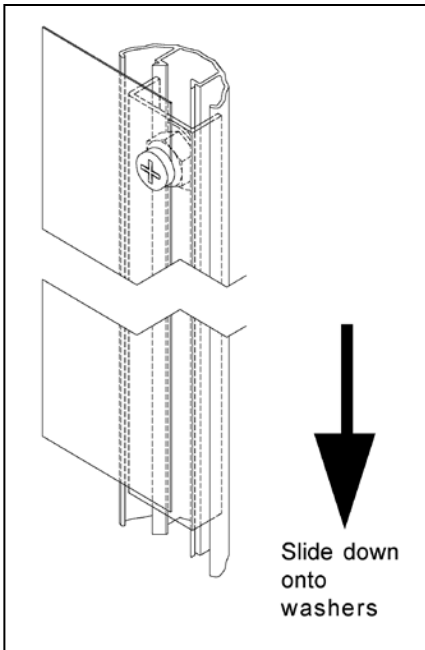


Illustration V.

