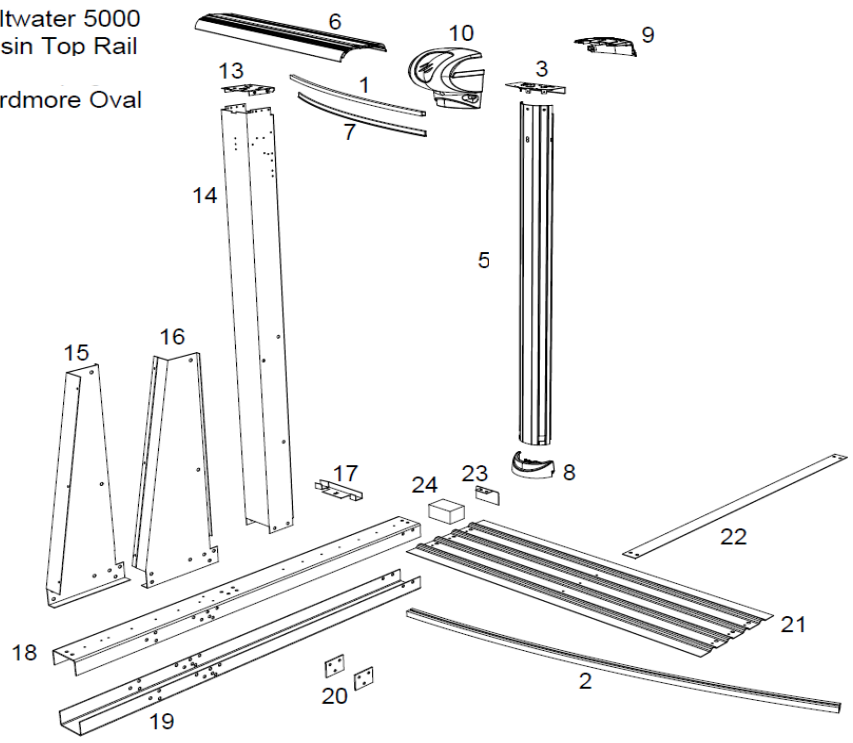


Saltwater 5000
Resin Top Rail

Yardmore Oval



- 1 Inner Stabilizer
- 2 Bottom Rail
- 3 Top Plate Curved
- 4 N/A This Model
- 5 Upright

- 6 Top Rail
- 7 Plastic Coping
- 8 Boot
- 9 Top Cap Small Half Inner
- 10 Top Cap Large Half Curved or Straight
- 11 N/A This Model
- 12 N/A This Model
- 13 Top Plate Straight Side
- 14 W/A Upright Oval Straight Side
- 15 Yardmore Gusset Left
- 16 Yardmore Gusset Right
- 17 Connector Bottom Rail Straight Side
- 18 Upper Oval Channel
- 19 Under Ground Channel
- 20 3 Hole Washer
- 21 Pressure Plate
- 22 Strap Section
- 23 Oval Channel End Cap
- 24 Oval Channel Foam Block

Product Description:

Saltwater 5000 RTR YM

Product Code

PHER-YM**52RSRRRH1**

			Quantities required for installation (by size)						
Index #	Description	Part #	Length	1224	1524	1526	1530	1833	1840
6	Top Rail Curved	22769	40-1/8"	10					
6	Top Rail Curved	22770	51-1/16"		10	10	10		
6	Top Rail Curved	22771	51-13/16"					12	12
6	Top Rail Straight Side	22775	41-1/8"	8	2	8	10	10	14
6	Top Rail Transision	29762	47-1/4"		4				
14	Wrap Upright Oval	35738	52"	6	4	6	8	8	12
5	Upright	22759	51-5/8"	12	12	12	12	14	14
10	Top Cap Large Outer Half Curved	22732		12	12	12	12	14	14
10	Top Cap Large Outer Half Straight	22733		6	4	6	8	8	12
10	Top Cap Small Inner Half	22734		18	16	18	20	22	26
8	Bottom Boot	22735		12	12	12	12	14	14
3	Top Plate	38908	6"	12	12	12	12	14	14
3	Top Plate Oval	38911		6	4	6	8	8	12
7	Plastic Coping	10296	48"	16	19	19	19	21	24
1	Rim	29934	8"	6	4	6	8	8	12
1	Rim	29935	33"	4	2	4	6	6	10
1	Rim	29936	37"	4		4	4	4	4
1	Rim	33129	40-1/4"	10					
1	Rim	37422	43"		4				
1	Rim	29889	56-1/16"			10	10		
1	Rim	29890	56-1/16"					12	12
1	Rim	11428	51-1/16"		10				
1	Inner Stabilizer Connector	29931	5-1/2"	12	12	12	12	14	14
2	Bottom Rail Straight Side	12311	49"		10	10	10		
2	Bottom Rail Straight Side	12327	37 1/2"	4	2	4	6	6	10
2	Bottom Rail Curved	12328	39"	4		4	4	4	4
2	Bottom Rail Curved	12330	45"		4				
2	Bottom Rail	12331	50"					12	12
2	Bottom Rail	38991	38"	10					
19	Under Channel	15933	45 9/16"	6	4	6	8	8	12
18	Strap Over Channel	16539	52 3/8"	6	4	6	8	8	12
17	Bottom Rail Connector Straight Side	16542		6	4	6	8	8	12
21	Pressure Plate	16549	44"	6	4	6	8	8	12
23	Oval Channel End Cap	22726		6	4	6	8	8	12
23	Oval Channel Foam Block	29917		6	4	6	8	8	12
22	Strap Section	16724	41-11/16"	6					
22	Strap Section	16725	40-11/16"		6	9	12		
22	Strap Section	16726	52-11/16"					12	12
15	Yardmore Gusset Left	35740		6	4	6	8	8	12
16	Yardmore Gusset Right	35741		6	4	6	8	8	12
*	Hardware Yardmore (4 Upright)	22-16720		1	1	1	2	2	3
*	Hardware Yardmore (2 Upright)	22-16722		1		1			
*	Hardware	44-10165		1		1			
*	Hardware	44-10166			1		1		
*	Hardware	44-10167						1	
*	Hardware	44-10168							1
*	Hardware	22-10090		1	1	1	2	1	1
*	Hardware	22-10072			1				1
*	Hardware	22-10073		1		1			
*	Hardware	22-10074					1		1
	Instruction DVD	36878		1	1	1	1	1	1
	Envelope Saftey	95-0007		1	1	1	1	1	1