

Hydrotools Cartridge Filter #70150 manual

MODELS:

72123/721231/72323/723231

SAFETY INFORMATION

1. The filters are designed to work with water at temperature >than 0°C and <than 45°C. The filter should never be operated outside of these temperatures or damage may occur.
2. The installation should be carried out in accordance to the safety instructions of swimming pools and the specific instructions for each facility
3. The user should make sure that the installation is carried out by qualified authorized persons and that these persons have first carefully read the following instructions. Incorrectly installed equipment may fail, causing severe injury or property damage
4. The operating safety of the filter is only guaranteed if the installation and operation instructions are correctly followed.
5. To reduce the risk of injury, do not permit children to use this product.
6. Chemical spills and fumes can weaken Swimming Pool/ Spa. Corrosion can cause filters and other equipment to fail, resulting in severe injury or property damage. Do not store pool chemicals near your equipment.
7. Any modification of the filter requires the prior consent from the supplier's original replacement parts and accessories authorized by the manufacturer ensure a high level of safety. The supplier assumes no liability for the damage and injuries caused by unauthorized replacement parts and accessories.
8. In the event of defective operation or fault, contact the supplier or its nearest authorized service agent

The Filtration system working principle

Incoming water from the piping system is automatically directed by the Multiport Valve to the bottom of the filter bed. As the water is pumped through the filter, dirt and debris are trapped by the filter, and filtered out. The filtered water is returned from the top of the filter tank, through the Multiport Valve and back through the piping system.

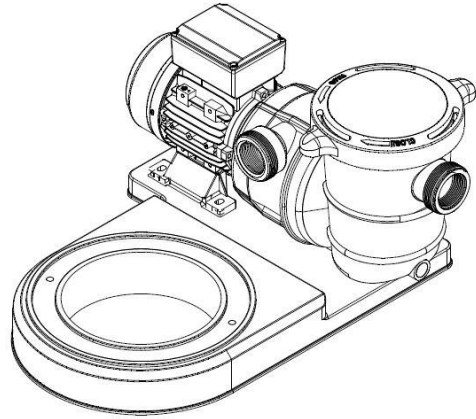
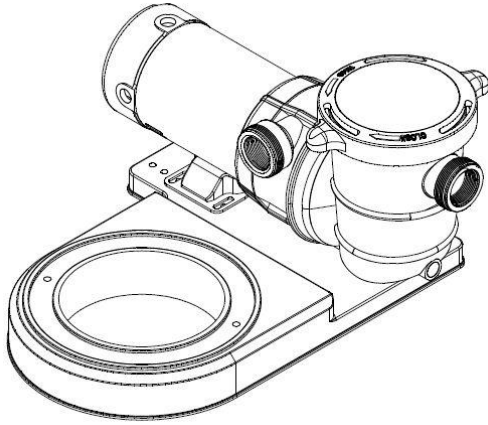
Preparation before installation

1. Position the filter as close to the Swimming Pool/ Spa as possible.
2. The filter should be placed on a level concrete slab, very firm ground, or equivalent. Ensure that the ground will not subside, preventing any strain from the attached plumbing.
3. Position the filter under consideration of the piping connections, so that it is convenient for operating and servicing.
4. Ensure that the compliance label is facing the front to allow easy identification in the case of service difficulties.

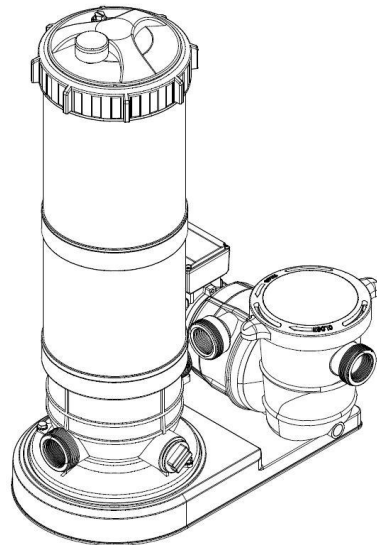
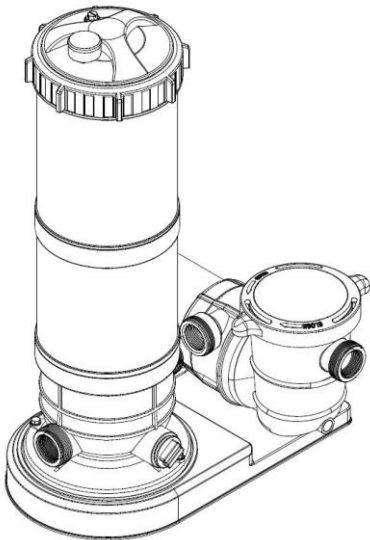
How to install the filter tank

INSTALLATION

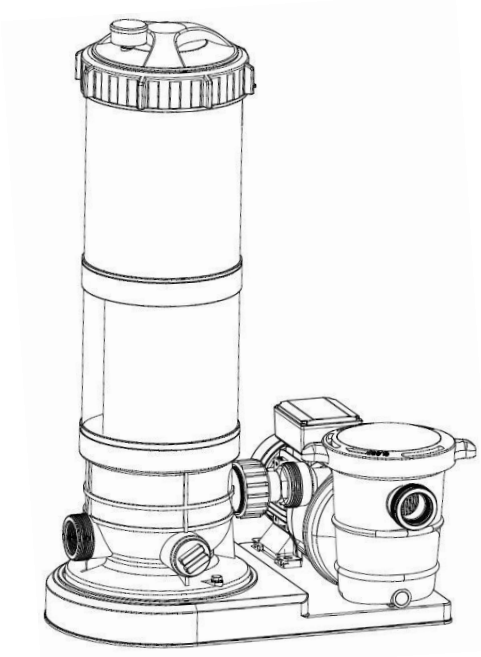
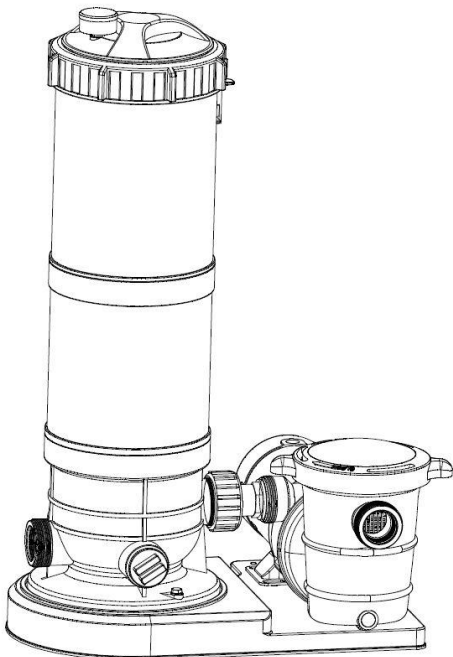
1. Mount the pump to filter support by using bolts and nuts.

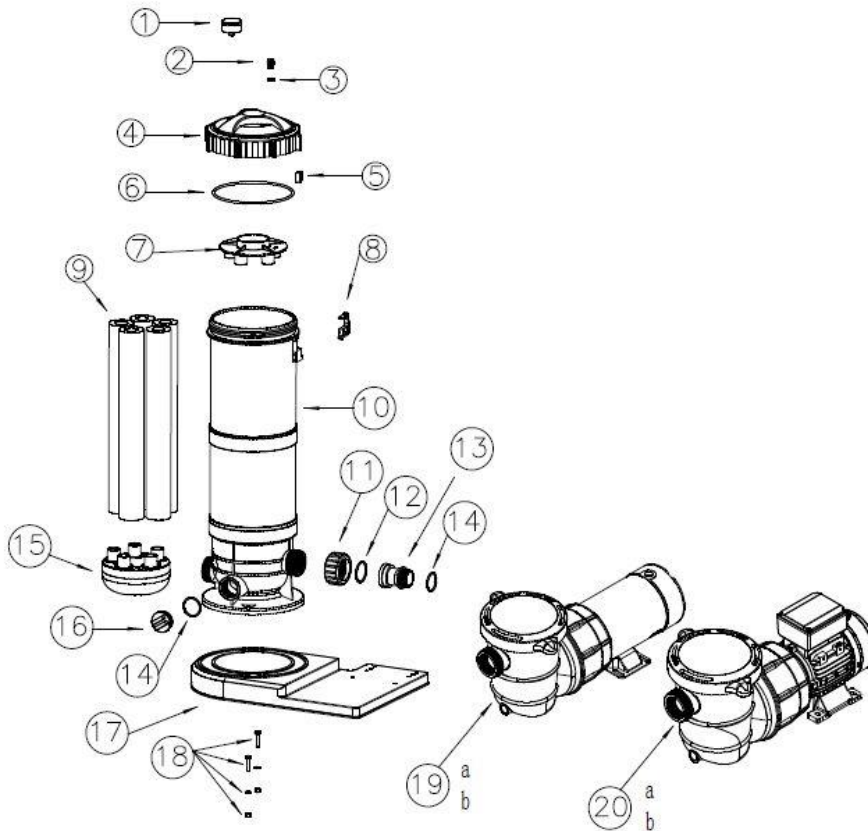


2. Filter is installed in the end plate by using bolts and nuts.



3. The pump and filter installed at the junction connector, as shown below.





Parts Listing:72123/721231/72323/723231

Ref.No.	Parts No.	Description	QTY
1	97202	Pressure gauge	1
2、3	88601004	Drain plug with gasket	1
4	647311072	Seal cover with locking ring	1
5	647311010	Limit plug head	1
6	65431045080	O-ring	1
7	647311601	Filter cover	1
8	647311009	Locking ring latch	1
9	65022042001	20-inch precision filter	5
10	647311671	Body	1
11	649138201	Connector nut	1
12	6431045080	O-ring	1
13	647211002	Connector	1
14	65431021080	O-ring	2
15	647311672	Filter base assembly	1
16	649121501	Plug 1 1/2"	1
17	647211001	Back plane	1
18	647202775	Screw assembly(M8*35+M8)	4
19a	72729	1.0HP SPL Pump (115V-60Hz) for 72323	1
19b	72730	1.5HP SPL Pump (115V-60Hz) for 723231	1
20a	72529	1.0HP Pump (230V-50Hz) for 72123	1
20b	72530	1.5HP Pump (230V-50Hz) for 721231	1