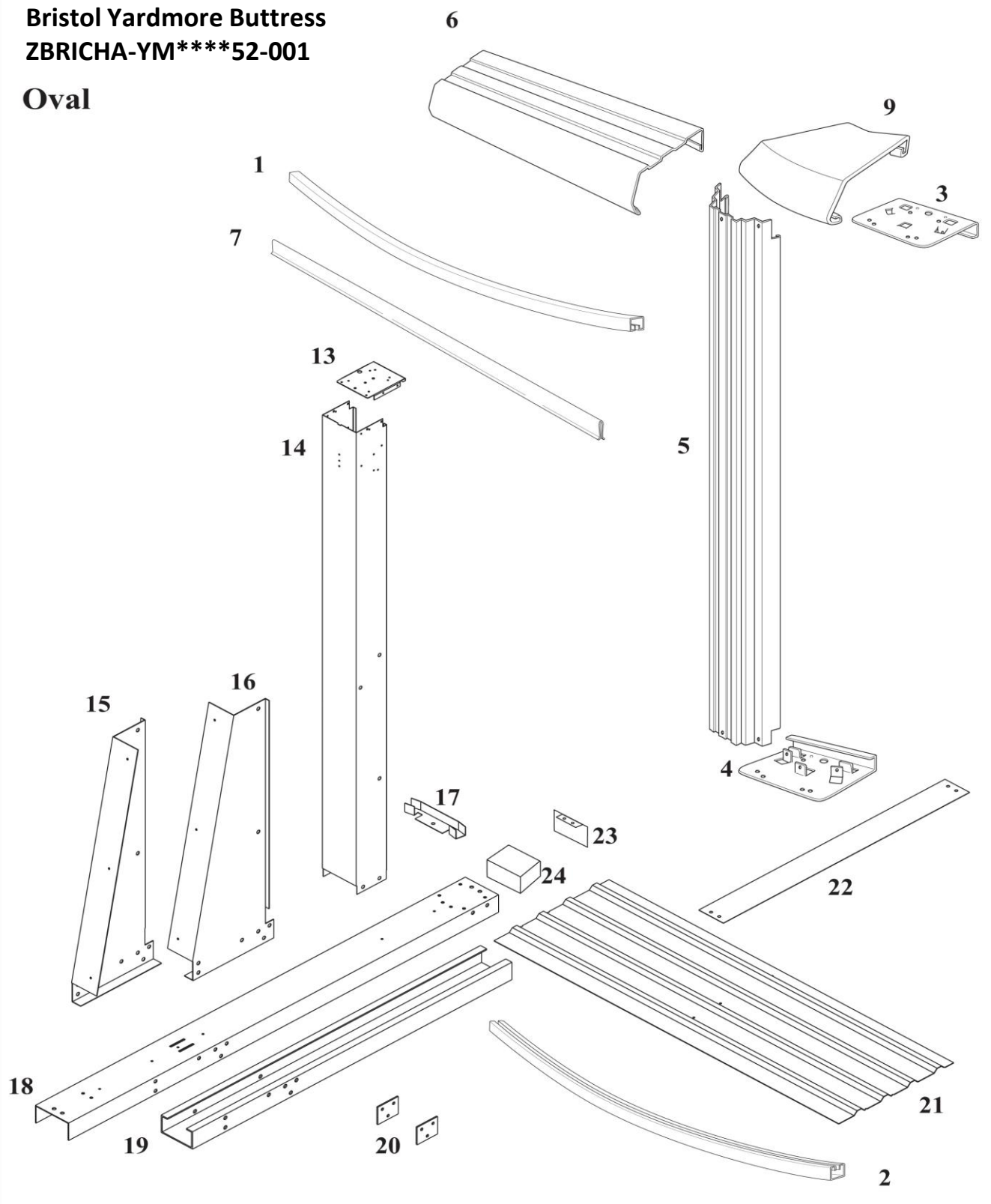


**Bristol Yardmore Buttress**  
**ZBRICHA-YM\*\*\*\*52-001**

**Oval**



**Product Description:**

**Bristol Yardmore Oval**

**Product Code:**

**ZBRICHA-YM\*\*\*52-001**

Index #	Description	Part #	Length	1224	1524	1526	1530	1833
6	Top Rail Curved	21424	40-1/8"	10				
6	Top Rail Curved	21425	51-3/16"		10	10	10	
6	Top Rail Curved	21426	51-15/16"					12
6	Top Rail Straight Side	21427	41-1/4"	8	2	8	10	10
6	Top Rail Corner Transition	35372	47-1/4"		4			
5	Upright	21430	51-13/16"	12	12	12	12	14
14	Wrap Upright Oval Straight Side	35738	51-13/16"	6	4	6	8	8
9	Top Cap	21431	6"	18	16	18	20	22
3	Top Plate Straight Side	10136	4"	6	4	6	8	8
3	Top / Bottom Plate Curved	11595	4-1/2"	24	24	24	24	28
7	Plastic Coping	10296	48"	16	19	19	19	21
1	Inner Stabilizer	38501	42-5/8"	4				
1	Inner Stabilizer	38502	53-1/4"		10	10	10	
1	Inner Stabilizer	38503	54-1/8"					12
1	Straight Middle Stabilizer	38512	33"	4	2	4	6	6
1	Straight Center Stabilizer	38513	8"	6	4	6	8	8
1	Rim	38511	37"	4	4	4	4	4
1	Rim	38514	43"		4			
2	Bottom Rail	22901	45"		4			
2	Bottom Rail	14950	49"		10	10	10	
2	Bottom Rail	14949	50"					12
2	Bottom Rail	38736	38"	10				
2	Bottom Rail Straight Side	16713	37.5"	4	2	4	6	6
17	Connector Bottom Rail Straight Side	16542		6	4	6	8	8
2	Bottom Rail Corner	16714	39"	4		4	4	4
21	Pressure Plate	16549	44"	6	4	6	8	8
18	Upper Oval Channel YM	16539		6	4	6	8	8
23	Oval Channel End Cap	22726		6	4	6	8	8
24	Oval Channel Foam Block	29917		6	4	6	8	8
19	Under Ground Channel YM	15933		6	4	6	8	8
15	Yardmore Gusset Left	35740		6	4	6	8	8
16	Yardmore Gusset Right	35741		6	4	6	8	8
22	Strap Section	16724	40-11/16"	6				
22	Strap Section	16725	40-11/16"		6	9	12	
22	Strap Section	16726	52-11/16"					12
*	Hardware Stainless Steel Base Pack YM (4 Uprights)	22-16720		1	1	1	2	2
*	Hardware Stainless Steel Base Pack YM (2 Uprights)	22-16722		1		1		
*	Hardware	44-10038			1			
*	Hardware	44-10037		1		1		
*	Hardware	44-10039					1	
*	Hardware	44-10040						1
*	WALL-CHATEAU 52 STL WM 1224	WCHA52S-WMN1224-743Z		1				
*	WALL-CHATEAU 52 STL WM 1524	WCHA52S-WMN1524-792Z			1			
*	WALL-CHATEAU 52 STL WM 1526	WCHA52S-WMN1526-850Z				1		
*	WALL-CHATEAU 52 STL WM 1530	WCHA52S-WMN1530-938Z					1	
*	WALL-CHATEAU 52 STL WM 1833	WCHA52S-WMN1833-1053Z						1
*	Wall Bar Double Finished Galv	37397		2	2	2		
*	Envelope Safety Stickers	95-0007		1	1	1	1	1
*	Instructional DVD	36879		1	1	1	1	1

\*May not be pictured