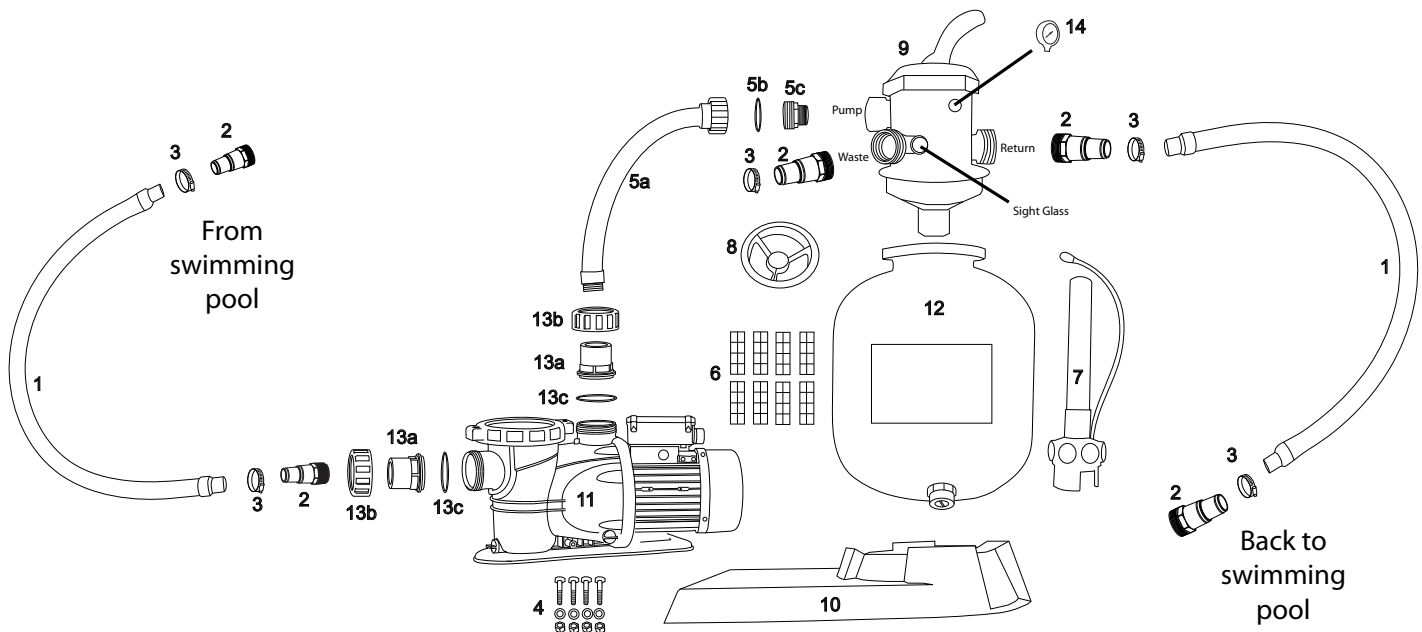


Schematics



Parts Listing

Ref. No.	Part No.	Description	QTY
1	10020-001	6ft Hoses	2
2	65020-001	Hose Barbs	5
3	65022-001	Hose Clamps	5
4	65035-01	Hardware for Pump:	1
		Bolts	4
		Nuts	4
		Washers	4
5a		Discharge Hose	1
	65023-01HC	100lb Tank Hose	
	65023-02HC	150lb Tank Hose	
	65023-03HC	300lb Tank Hose	
5b	65023-Oring	Discharge O-Ring	1
5c	65023-Adapter	Discharge Adapter	1
6		Lateral Kit	1
	65011-01	100lb & 150lb Lateral Kit	
	65012-01	300lb Lateral Kit	
7		Center Pipe with Safety Vent	1
	65017-01	100lb Center Pipe w Safety Vent	
	65018-01	150lb Center Pipe w Safety Vent	
	65019-01	300lb Center Pipe w Safety Vent	
8	65046-01	Neck Fill Centering Funnel	1
9	65016-01	7- Way Filter Valve	1
10	65027-01	Sand Filter & Pump Mounting Tray	1
11		Pool Pump	1
	62011	1hp Pool Pump with Switch	
	62015	1.5hp Pool Pump with Switch	
	62018	2hp Pool Pump with Switch	
12		Filter Tank	1
	65031-01	100lb Filter Tank	
	65032-01	150lb Filter Tank	
	65033-01	300lb Filter Tank	
13	63061-01	Pump Adapter Kit	1
13a	63061-FITTING	Pump Adapter	2
13b	63064-01	Pump Adapter Locking Ring Nut	2
13c	65034-002	Pump Adapter O-Ring	2
14	65025-01	Pressure Gauge	1
15	65014-01	Valve Flange Clamp with Hardware	1